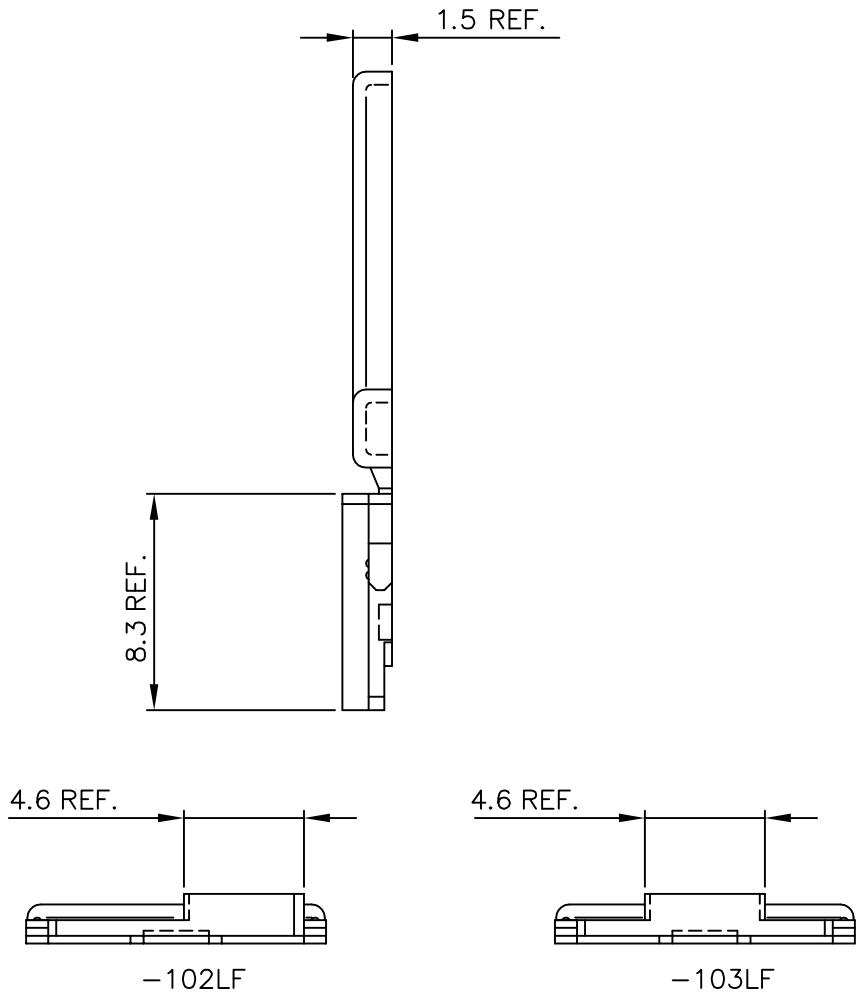
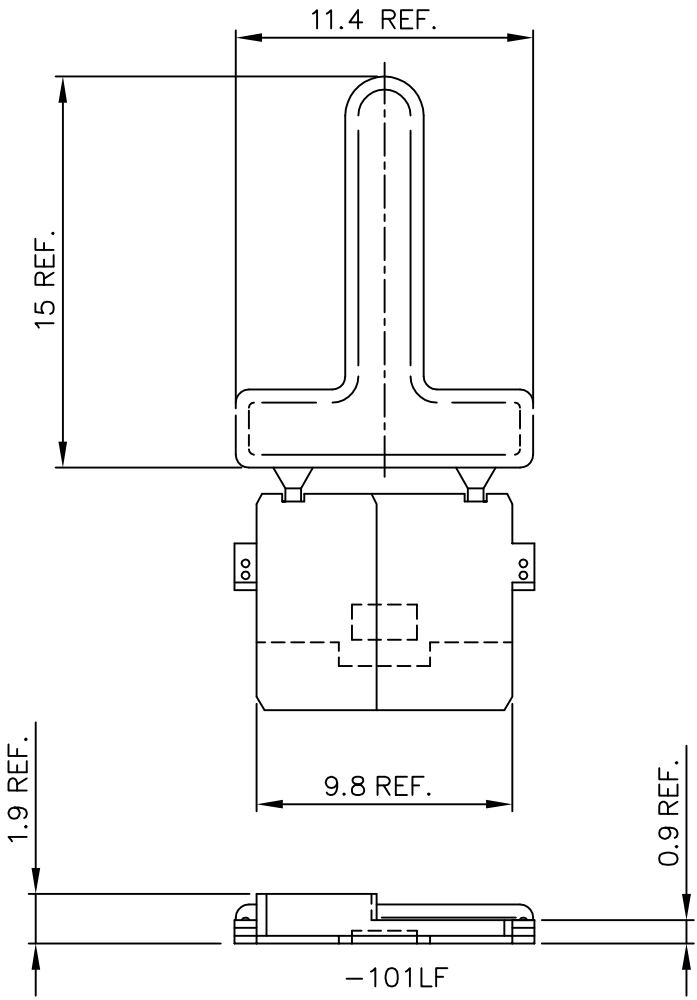


Tous droits strictement réservés. Reproduction ou communication o des tiers interdite sous quelque forme que ce soit sans autorisation écrite du propriétaire. © FCI b.v.

Reproduction or issue to third parties in any form, whatever is not permitted without written authority from the proprietor. © FCI b.v.

PRODUCT NUMBER	DESCRIPTION	COLOR
85814-101LF	RIGHT FEMALE KEY	BLUE
85814-102LF	LEFT FEMALE KEY	PINK
85814-103LF	MIDDLE FEMALE KEY	BROWN



- NOTES:
- MATERIAL: LIQUID CRYSTAL POLYMER. FLAMERETARDANT ACC. UL 94-VO. 30% GLASS FILLED, COLOR SEE TABLE.
  - THIS PRODUCT WITH "LF" SUFFIX MEETS EUROPEAN UNION DIRECTIVES AND OTHER COUNTRY REGULATIONS AS DESCRIBED IN GS -22-008.
  - THE PRODUCT IS NOT INTENDED TO BE EXPOSED TO A MANUFACTURING SOLDER PROCESS.

mat'l. code SEE NOTE 1		tolerances unless otherwise specified		CUSTOMER COPY		<b>ELECTRONICS</b> www.fciconnect.com	
ltr	ecr no	dr	date			projection	title
A	H40101	VWO	940211	linear			FEMALE KEY HALF, EXTENDED
B	H40259	VWO	940420				
C	H40487	DDB	940729	angles			product family CENTRAL (tm)
D	H40545	VWO	940831	dr	H v Woensel 940211		
E	H40642	DAN	941028	eng	H v Woensel 940211	size	213
F	H50073	RVI	950201	chr	H Cooijmans 940211	scale	sheet
G	bc05-0392	CLu	051017	app	H v Woensel 940211	5:1	1 of 1
sheet	revision	G					
index	sheet	1					